

## UNIKA 710 DOUBLE DROITE SOUS PLAN



Kitchen Sinks

Code: N204 S51

UNIKA R15 SINK 760x450 SOUSPLAN 2 CUVES DROITE



### DETAILS

Edge/Installation Type	Undermount
Finish	Foster brushed
Material	AISI 304 stainless steel
Texture	Foster brushed
Base	80 cm
Dimensions	760x450 mm
Standard fittings	Fixing hooks, gasket, drain, overflow and siphon, boxed packing
Mixer holes	No standard holes
Built-in hole	<a href="#">View technical data sheet</a>

Drainer No

---

Width 76 cm

---

Bowl dimension 500x400 + 180x400mm

---

Number of bowls 2 bowls

---

Waste fitting 3,5" drain

---

## FEATURES

**Basket 3,5" waste fitting** The drain is equipped with a large 3.5" drain, with the practical basket cap that prevents the discharge of solid parts.

---

**High thickness** 1mm thick steel. A significant thickness, which guarantees the maximum sturdiness and durability.

---

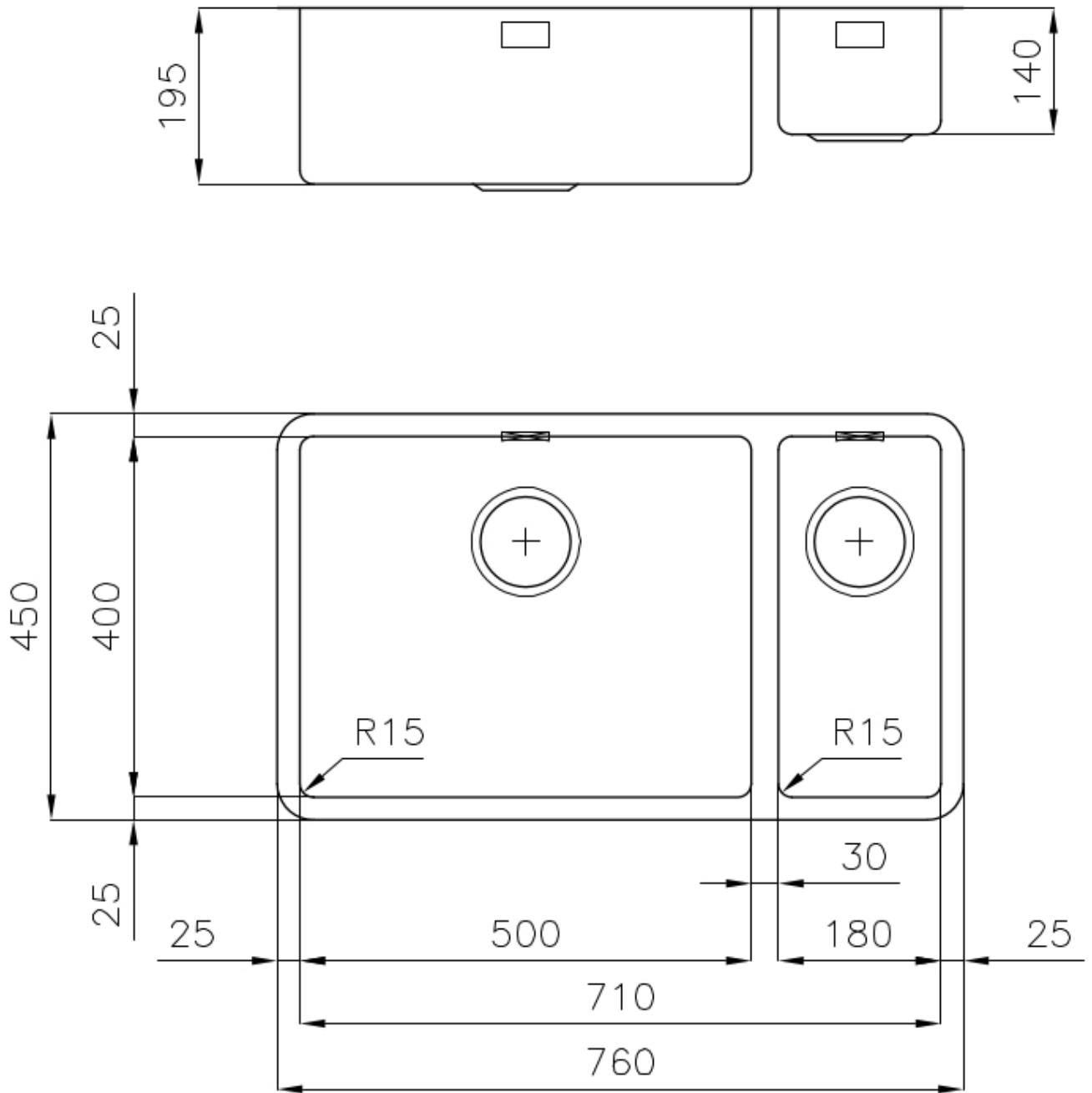
**Perimetral overflow** The overflow is always a security on the Foster sinks that prevents the overflow of water in case of oversights. The perimeter drain solution improves aesthetics thanks to its square and essential shape.

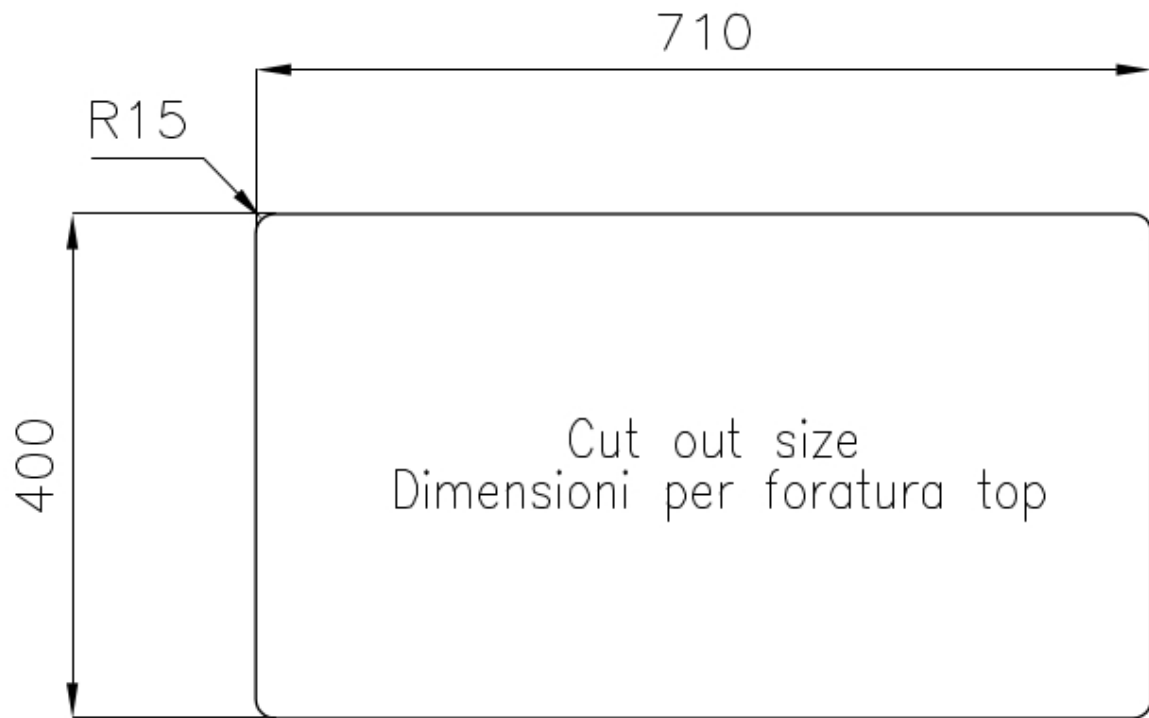
---

**Small radius** Bowls with squared shapes with a modern design and an increased capacity, for a minimal aesthetics connected with an extreme practicality.

---

## TECHNICAL DATA





## OPTIONAL ACCESSORIES



**CUVETTE PERFOREE INOX**

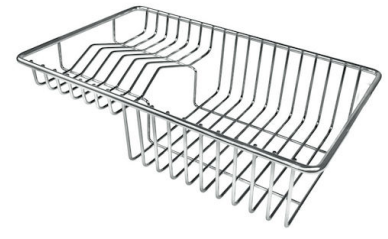
A154 F00

\* only in combination with the accessory  
A644 F04



**CUVETTE PLASTIQUE BLANCHE**

A153 A00



**GRILLE POR.ASIETTES INOX**  
**mm214x379**

A100 C03

\* only in combination with the accessory  
A644 A01



**GRILLE PORTE-ASSIETTES INOX**  
**25x35**

A100 A54

\* only in combination with the accessory  
A644 F04



**PLANCHE DE DECOUPE CRYSTAL**  
**23x41 CM**

A631 C00



**PLANCHE DE DECOUPE DOUBLE**  
**HDPE**

A644 A01



**PLANCHE DE DECOUPE DOUBLE**  
**IROKO**

A644 F04



**PLANCHE DE DECOUPE HDPE**  
**27x42 CM**

A657 F01



**CUVETTE INOX PERFOREE**

A151 F00

\* only in combination with the accessory  
A644 A01



**GRILLE PORTE-ASSIETTES INOX**  
**250x425**

A100 B01



**KIT RÂPES ET PLANCHE DE**  
**DECOUPE HDPE**

A159 A01

\* only in combination with the accessory  
A644 A01

## OPTIONAL AUTOMATIC WASTE FITTINGS



**VIDAGE FADE LIGHT**  
A407 A17



**VIDAGE FADE PUSH INOX**  
A407 A16